



## Deep-Terrain Treads Installation Instructions for TRX-4 Traxx®

Covers Part #8877

### Kit contents:

- Deep-Terrain rubber tracks (front) (2)
- Deep-Terrain rubber tracks (rear) (2)

### Tools needed:

- 2.0mm hex wrench

### CAUTION: USE LOW GEAR

On models equipped with two-speed transmissions, drive with the transmission in low gear to prevent overheating and permanent motor damage. On models equipped with single-speed transmissions, the stock gearing (17-T pinion and 39-T spur gear) is suitable for general use in most terrain with NiMH or 2s LiPo batteries; for mud or snow use, or when using a 3s LiPo battery, you must replace the stock gearing with an 11-T pinion and 45-T spur gear prior to driving.

### Installation:

1. Remove the 2.5x23mm cap screw from the tension bar (Fig. 1).
2. Dislodge the tension bar to release tension from the All-Terrain rubber track; remove the rubber track from the chassis (Fig. 2).
3. Verify the tensioner is set to the correct distance (2.5mm is the factory setting) (Fig. 3).
4. Install the Deep-Terrain rubber track on the chassis (Fig. 4).
5. Return the tension bar to its original position; secure with the 2.5x23mm cap screw.
6. Repeat for the other three rubber tracks.

**CAUTION:** Be cautious when adjusting tension; too much tension will result in very high drivetrain loads, motor failure, and/or premature wear on track components.

Fig. 1

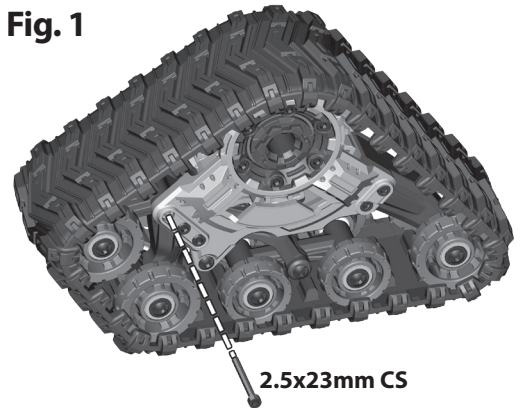


Fig. 2

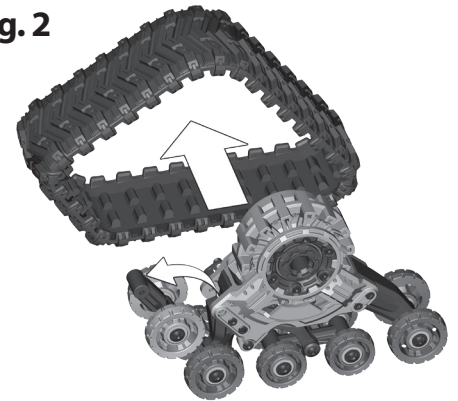


Fig. 3

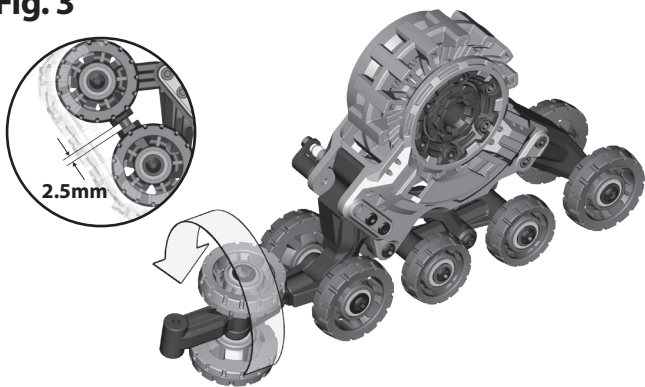


Fig. 4

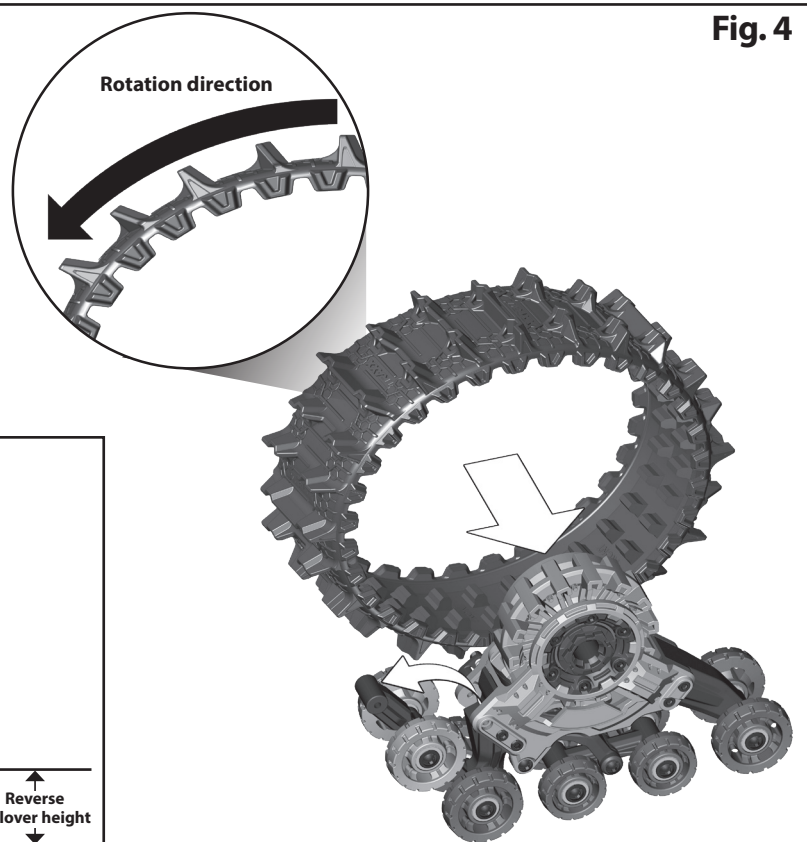
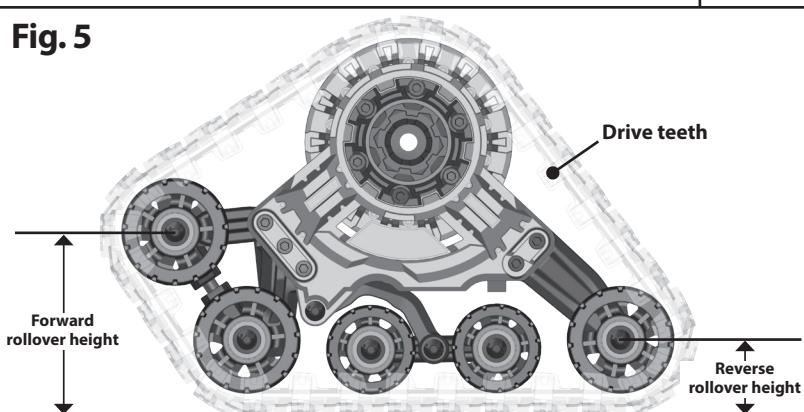


Fig. 5



**Note:** The vehicle body, front/rear bumpers, or the rock sliders may require minor trimming for proper clearance after installation of the Deep-Terrain Treads. A travel limiter has been pre-installed in the rear shocks on the drive units to minimize the amount of trimming needed on the body. For more track articulation on uneven terrain, remove the travel limiter; additional body trimming may be required. Install the TRX-4 Long Arm Lift Kit (part #8140, 8140R, or 8140X, sold separately) for additional height and clearance with the body.

### Driving Tips (Fig. 5)

- Keep the drive teeth on the interior of each rubber track clear of debris to prevent the track from shifting out of position or derailing during operation.
- Occasionally, the drive wheel may skip on the drive teeth of the rubber track. This is normal and will not cause damage to your truck. Check for any obstructions and/or reposition the truck before continuing.
- Observe the rollover height when driving over tall obstacles. Do not attempt to climb obstacles that are taller than the rollover height of the Traxx. Be careful when reversing. The trailing wheel has a much lower rollover height than the leading wheels; some obstacles will be too tall for the trailing wheel.
- Increased traction from the rubber tracks may cause your truck body to lean to one side while driving through deep snow or thick mud. This is called torque twist. Installing stiffer suspension springs can reduce torque twist in the chassis and provide additional stability.

### TRX-4 Traxx® Maintenance

- Always clean debris from the Traxx drive units after running, including snow buildup, mud, etc. Spray all metal components, screws, bearings, and bushings with WD-40® or similar water displacing light oil. It is best to remove the rubber tracks to gain access to all areas and to allow for complete cleaning of the assemblies.
- Clean the drive units using a garden hose with a spray nozzle. If a garden hose is not accessible, running the Traxx in clear water, such as a stream or shallow pond, will remove much of the accumulated mud. Blow all remaining water from the assemblies with compressed air.
- DO NOT allow mud to dry on the drive units, as this will cause the assemblies to seize up and require full disassembly and thorough cleaning.
- Refill the anti-rotation shocks (oil dampers) with 40wt silicone shock oil as necessary.